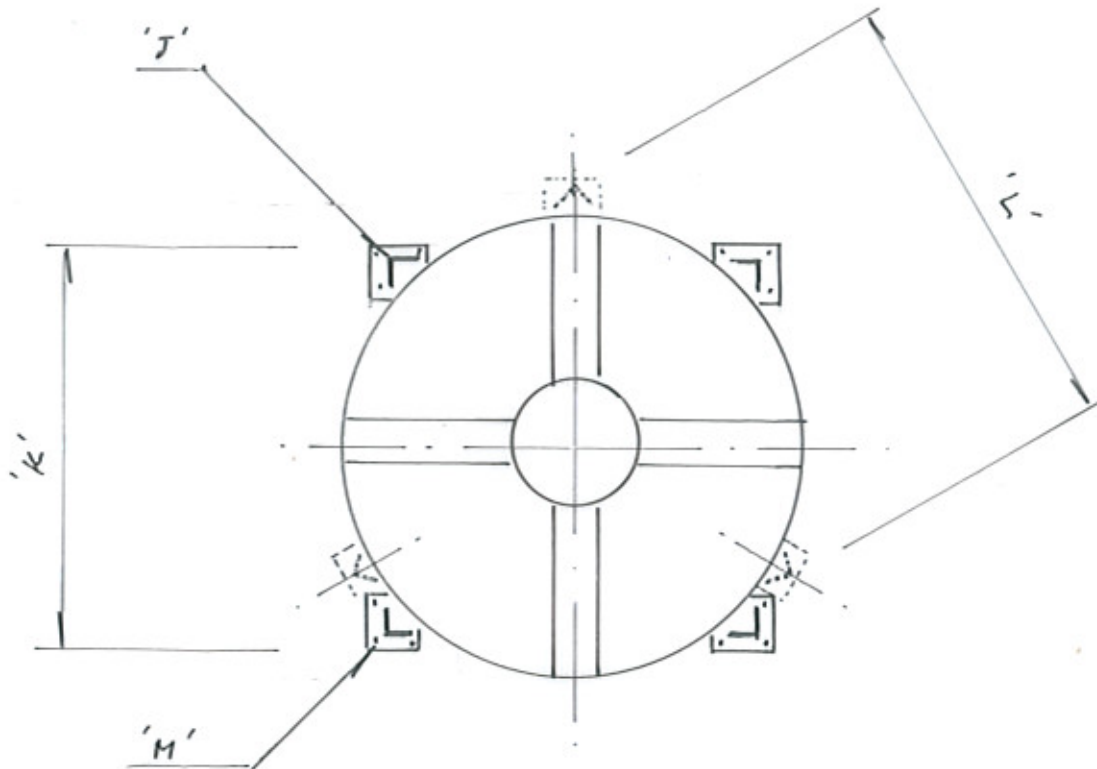
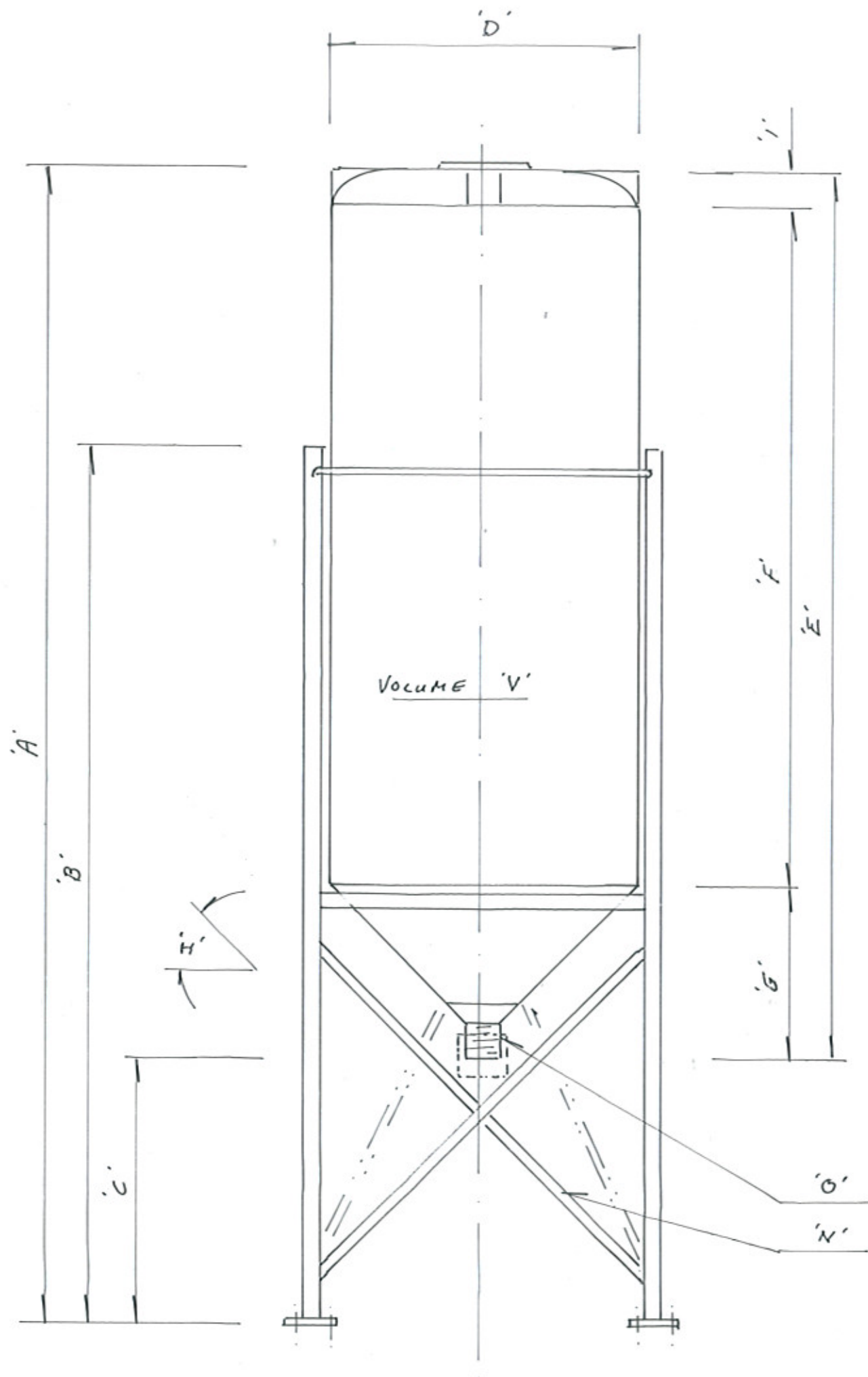


POLYWORLD SILO DIMENSIONS						
Description	Silo 10000 Tall	Silo 2500 Tall	Silo 1300 Short	Silo 1300 Tall	Silo 600 Short	
V Nominal Volume Litres	10000	2500	1400	1400	700	
A Overall Height	4600	3650	2450	3400	2300	
B Stand Height	2900	2400	2400	2050	2050	
C Outlet Height	600	480	480	550	550	
D Tank Diameter	1925	1160	1160	890	890	
E Tank Overall Length	4000	3000	1800	2700	1600	
F Cylinder Length	3100	2400	1200	2050	850	
G Cone Length with Outlet	570	640	640	650	650	
H Cone Angle	25°	45°	45°	54°	54°	
I Lid Height	250	200	200	200	200	
J Number of Legs	4	4	4	3	3	
K Footprint Square	1650	1300	1300	x	x	
L Footprint Triangular	x	x	x	1000	1000	
M Hold Down Bolts	16-off M16	16-off M12	16-off M12	12-off M10	12-off M10	
N Bracing Type	'X' Brace, bolted	'V' Brace	'V' Brace	'V' Brace	'V' Brace	
O Outlet Fitting	4" BSP Socket	4" BSP Socket	4" BSP Socket	4" BSP Socket	4" BSP Socket	

Tanks can have additional inlets or outlets at almost any height.
 Material is LDPE standard, or HDPE on request
 Available in most colours, or translucent 'Natural' - you can see the liquid level.
 Stands are hot dipped galvanised. Paint or stainless on request.

<https://polyworld.sharepoint.com/Shared Documents/SharedData/DATA POLYWORLD/POLYWORLD Products/Silo>



POLYWORLD SILO DIMENSIONS						
Description	Silo 10000 Tall	Silo 2500 Tall	Silo 1300 Short	Silo 1300 Tall	Silo 600 Short	
V	Nominal Volume Litres	10000	2500	1400	1400	700
A	Overall Height	4600	3650	2450	3400	2300
B	Stand Height	2900	2400	2400	2050	2050
C	Outlet Height	600	480	480	550	550
D	Tank Diameter	1925	1160	1160	890	890
E	Tank Overall Length	4000	3000	1800	2700	1600
F	Cylinder Length	3100	2400	1200	2050	850
G	Cone Length with Outlet	570	640	640	650	650
H	Cone Angle	25°	45°	45°	54°	54°
I	Lid Height	250	200	200	200	200
J	Number of Legs	4	4	4	3	3
K	Footprint Square	1650	1300	1300	x	x
L	Footprint Triangular	x	x	x	1000	1000
M	Hold Down Bolts	16-off M16	16-off M12	16-off M12	12-off M10	12-off M10
N	Bracing Type	'X' Brace, bolted	'V' Brace	'V' Brace	'V' Brace	'V' Brace
O	Outlet Fitting	4" BSP Socket	4" BSP Socket	4" BSP Socket	4" BSP Socket	4" BSP Socket

Tanks can have additional inlets or outlets at almost any height.
 Material is LDPE standard, or HDPE on request
 Available in most colours, or translucent 'Natural' - you can see the liquid level.
 Stands are hot dipped galvanised. Paint or stainless on request.

<https://polyworld.sharepoint.com/Shared Documents/SharedData/DATA POLYWORLD/POLYWORLD Products/Silo>